

A46JE/A46JRT

ARTICULATED BOOM LIFTS



- Class-leading articulated boom lifts
- Choose from electric or rough terrain diesel models
- Highly manoeuvrable with tight turning radius
- Superb working envelope with zero tailswing
- Robust, reliable and easy to operate



snorkel[™]
www.snorkellifts.com

ARTICULATED BOOM LIFTS

A46JE/A46JRT

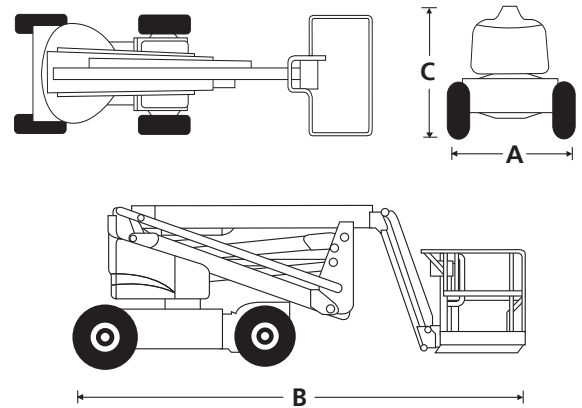
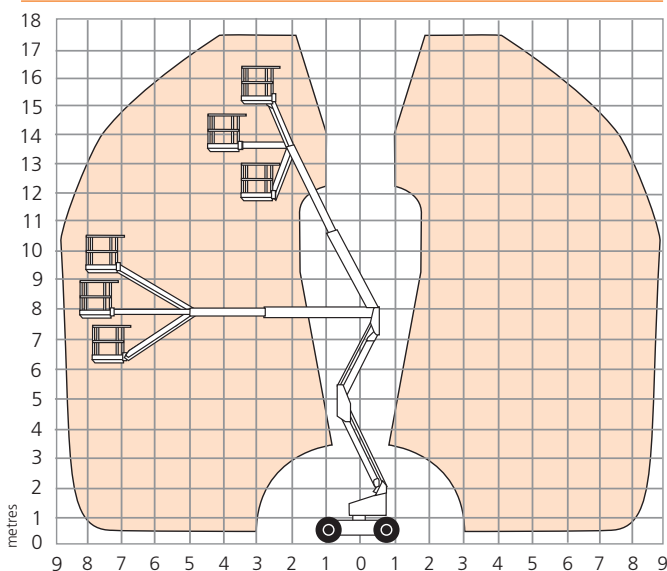
| DIMENSIONS | A46JE | A46JRT |
|-----------------------------------|--------------|--------------|
| Max. working height | 16.0m | 16.3m |
| Max. platform height | 14.0m | 14.3m |
| Max. working outreach | 7.35m | 7.35m |
| Clearance height at max. outreach | 7.46m | 7.67m |
| Platform size | 1.0m x 1.83m | 1.0m x 1.83m |
| Chassis width (A) | 1.7m | 2.1m |
| Overall length (B) | 5.6m | 5.7m |
| Stowed height (C) | 2.0m | 2.16m |
| Ground clearance | 152mm | 330mm |

| PERFORMANCE | | |
|----------------------------------|----------------------------|---|
| Platform capacity (SWL) | 227kg | 227kg |
| Max. drive height | 14.0m | 14.3m |
| Max. wind speed | 12.5m/s | 12.5m/s |
| Max. drive speed (stowed) | 5.1km/h | 6.4km/h |
| Max. drive speed (elevated) | 0.8km/h | 1.3km/h |
| Jib length | 1.5m | 1.5m |
| Jib arc | 140° | 140° |
| Platform rotation | 160° | 160° |
| Turret rotation (non-continuous) | 360° | 360° |
| Tailswing | 0m | 0m |
| Raise/lower time | 99/92 sec | 101/98 sec |
| Gradeability | 30% | 45% |
| Inside turning radius | 0.6m | 0.8m |
| Outside turning radius | 3.0m | 3.17m |
| Tyres | Non-marking IN240/55D 17.5 | High grip, foam-filled 355/55D625NHS 17.5 |
| Controls | proportional | proportional |
| Drive system | 2-wheel drive | 4-wheel drive |

| POWER | | |
|-----------------|------------------------|----------------------------|
| Power source | 8 x 6V 360Ah batteries | Kubota V1505 24.9hp Diesel |
| Battery charger | 100-240V/10A | n/a |

| WEIGHT | | |
|--------|---------|----------|
| Weight | 6,664kg | 7,540 kg |

WORKING ENVELOPE



STANDARD FEATURES

- Snorkel Guard™ secondary guarding system
- Tri-entry platform
- Drive motion alarm
- Multi-function proportional controls
- Oscillating front axle (A46JRT)
- Power line to platform
- Zero tailswing
- Hour meter & on-board diagnostics display
- Foam filled tyres (A46JRT)
- Non-marking tyres (A46JE)
- Battery charge indicator (A46JE)
- 2 year parts & labour, 5 year structural warranty
- CE approved

OPTIONS

- Special paint colours
- AC generator 110V/240V 2kW (A46JRT)
- Airline to platform (A46JRT)
- Non-marking tyres (A46JRT)
- Environmental hydraulic oil
- 1.52m aluminium platform with swing gate
- Aircraft package
- Deluxe aircraft package
- Cold weather package
- Extreme cold weather package (A46JRT)
- Extreme environment package
- Light package
- Utility package (A46JRT)
- Tool tray (A46JRT)
- Pipe rack
- Snorkel OnSite™ telematics

snorkel

Vigo Centre, Birtley Road,
Washington, Tyne & Wear,
NE38 9DA, U.K.

t: +44 (0) 845 1550 057

e: sales.emea@snorkellifts.com

www.snorkellifts.com