

S2255BE/S2755BE

NARROW BI-ENERGY ROUGH TERRAIN SCISSOR LIFTS



- Narrow compact bi-energy rough terrain scissor lifts
- Suitable for interior and exterior use
- Non-marking high grip tyres
- Roll-out deck extension for extra reach
- Ideal for outdoor work in confined spaces

 **snorkel**TM
www.snorkellifts.com

NARROW BI-ENERGY ROUGH TERRAIN SCISSOR LIFTS

S2255BE/ S2755BE

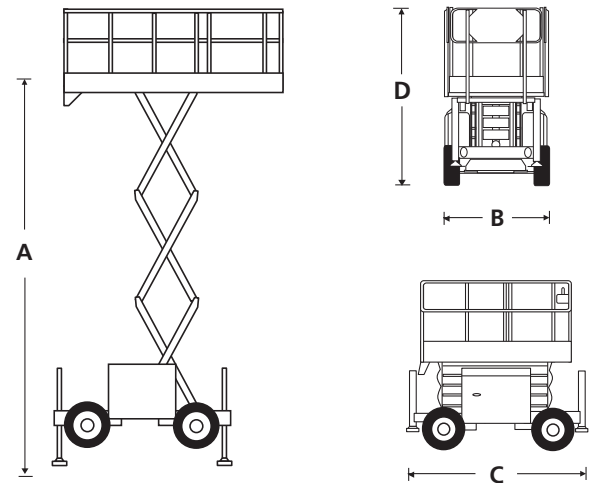
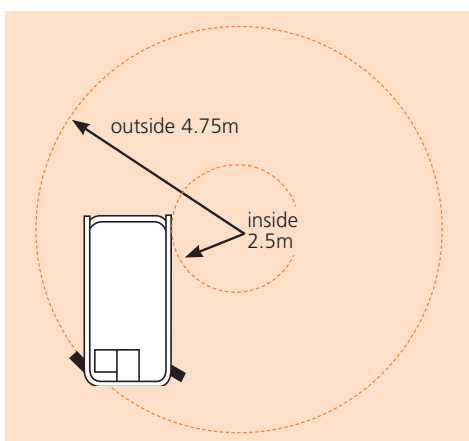
| DIMENSIONS | S2255BE | S2755BE |
|---------------------------------|--------------|--------------|
| Max. working height | 8.5m | 10.1m |
| Max. platform height (A) | 6.5m | 8.1m |
| Platform size (stowed) | 1.4m x 2.73m | 1.4m x 2.73m |
| Platform size (extended) | 1.4m x 3.93m | 1.4m x 3.93m |
| Extension deck length | 1.2m | 1.2m |
| Overall width (B) | 1.45m | 1.45m |
| Overall length (C) | 3.3m | 3.3m |
| Stowed height (D) | 2.35m | 2.5m |
| Min. height (guardrails folded) | 2.0m | 2.13m |
| Ground clearance | 260mm | 260mm |

| PERFORMANCE | S2255BE | S2755BE |
|---|--------------------------------|-----------|
| Platform capacity (SWL) | 420kg | 300kg |
| Max. drive height | 6.5m | 7.7m |
| Max. wind speed | 12.5m/s | 12.5m/s |
| Max. drive speed (stowed) | 5.2km/h | 5.2km/h |
| Max. drive speed (elevated) | 0.66km/h | 0.5km/h |
| Raise/lower time | 26/30 sec | 26/30 sec |
| Gradeability (on diesel) | 35% | 35% |
| Max. outrigger levelling, front to rear | 6° | 6° |
| Max. outrigger levelling, side to side | 10° | 10° |
| Inside turning radius | 2.5m | 2.5m |
| Outside turning radius | 4.75m | 4.75m |
| Exit/entry angle | 20° | 20° |
| Tyres | 0.58m x 0.22m - 12 non-marking | |
| Controls | proportional joystick | |
| Drive system | 4-wheel drive | |

| POWER | S2255BE | S2755BE |
|--------------|---|---------|
| Power source | Kubota diesel engine & 24V DC batteries | |

| WEIGHT | S2255BE | S2755BE |
|--------|---------|---------|
| Weight | 2,780kg | 3,100kg |

TURNING RADIUS



STANDARD FEATURES

- DC & diesel power - for indoor & outdoor work
- 4-wheel drive
- 4 hydraulic outriggers with automatic levelling
- Roll-out deck extension
- Proportional controls
- Non-marking tyres
- Power line to platform
- Drive motion alarm
- Descent alarm
- Manual lowering valve
- Flashing amber light
- Dual lanyard attachment points
- Oscillating axle
- Hour meter & on-board diagnostics display
- 2 year parts & labour, 5 year structural warranty
- CE approved

OPTIONS

- Special paint colours
- Nylon spreader pads (set of 4)
- Environmental hydraulic oil
- Cold weather package
- Snorkel OnSite™ telematics

snorkel www.snorkellifts.com

Vigo Centre, Birtley Road,
Washington, Tyne & Wear,
NE38 9DA, U.K.

t: +44 (0) 845 1550 057
e: sales.emea@snorkellifts.com