

SL26RT/SL30RT

DIESEL SPEED LEVEL



- The original Speed Level sigma lift
- Climbs gradients of up to 50%
- Auto-levelling without the need for outriggers
- Suitable for most terrains
- Powerful 4x4 drive
- Ideal for rough terrain or work at height on sloped ground

 **snorkel**[™]
www.snorkellifts.com

DIESEL SPEED LEVEL

SL26RT/SL30RT

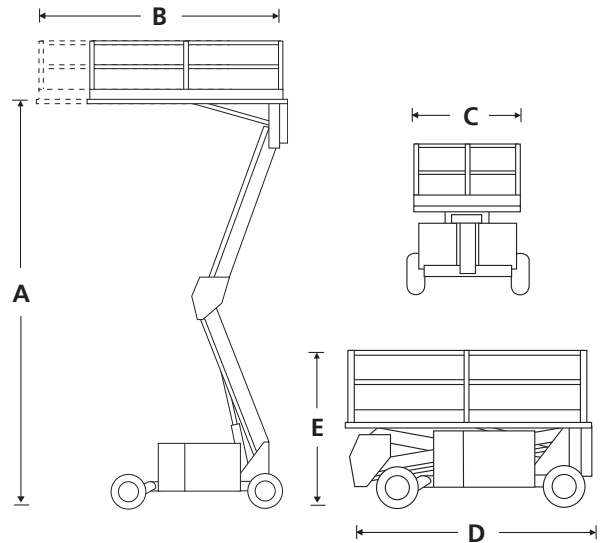
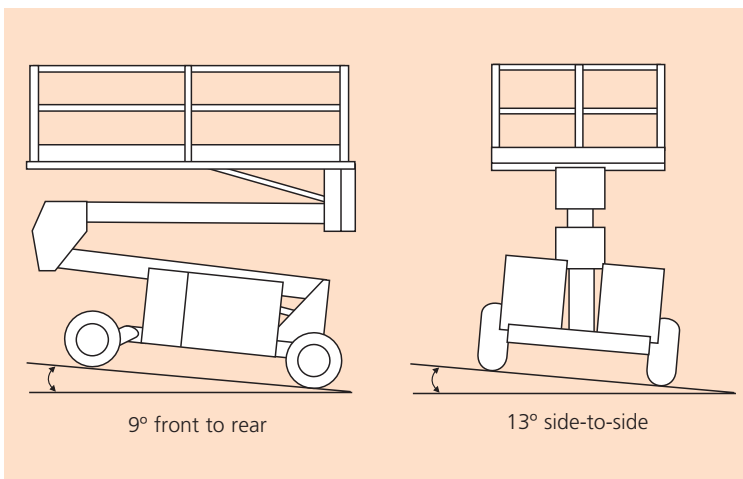
| DIMENSIONS | SL26RT | SL30RT |
|---------------------------------|---------------|---------------|
| Max. working height | 10.0m | 11.0m |
| Max. platform height (A) | 8.0m | 9.0m |
| Platform size (stowed) | 1.72m x 3.66m | 1.72m x 4.23m |
| Platform size (extended) (B) | 1.72m x 4.6m | n/a |
| Extension deck length | 0.91m | n/a |
| Overall width (C) | 2.13m | 2.13m |
| Overall length (D) | 3.79m | 4.3m |
| Stowed height (E) | 2.6m | 2.6m |
| Min. height (guardrails folded) | 1.7m | 1.7m |
| Chassis ground clearance | 305mm | 305mm |
| Axle ground clearance | 195mm | 195mm |

| PERFORMANCE | SL26RT | SL30RT |
|-------------------------------|---|-----------|
| Platform capacity (SWL) | 680kg | 590kg |
| Max. drive height | 8.0m | 9.0m |
| Max. wind speed | 12.5m/s | 12.5m/s |
| Max. drive speed (stowed) | 6.4km/h | 6.4km/h |
| Max. drive speed (elevated) | 0.8km/h | 0.8km/h |
| Raise/lower time | 21/32 sec | 24/36 sec |
| Gradeability | 50% | 50% |
| Max. levelling, front to rear | 9° | 9° |
| Max. levelling, side to side | 13° | 13° |
| Inside turning radius | 3.9m | 3.9m |
| Outside turning radius | 5.64m | 5.64m |
| Tyres | 26 x 12.00 - 12 foam filled | |
| Controls | proportional joystick | |
| Drive system | 4-wheel drive with hydraulic motors and flow dividers | |

| POWER | SL26RT | SL30RT |
|--------------|---|--------|
| Power source | Kubota D-902 water-cooled diesel Tier 4 Final | |

| WEIGHT | SL26RT | SL30RT |
|--------|---------|---------|
| Weight | 3,500kg | 3,400kg |

LEVELLING CAPABILITIES



STANDARD FEATURES

- Automatic powered platform levelling
- Powerful 4-wheel drive
- Oscillating front axle
- High grip, open tread deck (SL30RT)
- Roll-out deck extension (SL26RT)
- Descent alarm
- High grip all-terrain tyres
- Dual multi-disc brakes
- Proportional controls
- Power line to platform
- Fold-down guardrails
- All motion alarm
- Flashing amber light
- Hour meter & on-board diagnostics display
- Horn
- 2 year parts & labour, 5 year structural warranty
- CE approved

OPTIONS

- Special paint colours
- Diesel exhaust scrubber
- Environmental hydraulic oil
- Hydraulic generator 110V/240V 3.5kW
- Tunnel package (RT)
- Non-marking tyres
- Aluminium platform floor (SL26RT only)
- Extreme environment package
- Snorkel OnSite™ telematics

snorkel

Vigo Centre, Birtley Road,
Washington, Tyne & Wear,
NE38 9DA, U.K.

t: +44 (0) 845 1550 057

e: sales.emea@snorkellifts.com

www.snorkellifts.com