

TL37J

TOWABLE BOOM LIFT



- High specification trailer mounted boom lift
- Excellent working envelope including a jib boom
- Hydraulic outriggers for simple set-up
- Proportional controls for easy operation
- Range of power source options

 **snorkel**[™]
www.snorkellifts.com

TOWABLE BOOM LIFT

TL37J

DIMENSIONS TL37J

| | |
|-----------------------------|-------------|
| Max. working height | 12.9m |
| Max. platform height | 10.9m |
| Max. working outreach | 5.6m |
| Platform width (C) | 1.14m |
| Platform depth (D) | 0.7m |
| Outrigger footprint (A x B) | 3.9m x 3.3m |
| Towing width (E) | 1.61m |
| Towing length (F) | 6.4m |
| Stowed height (G) | 2.1m |

PERFORMANCE

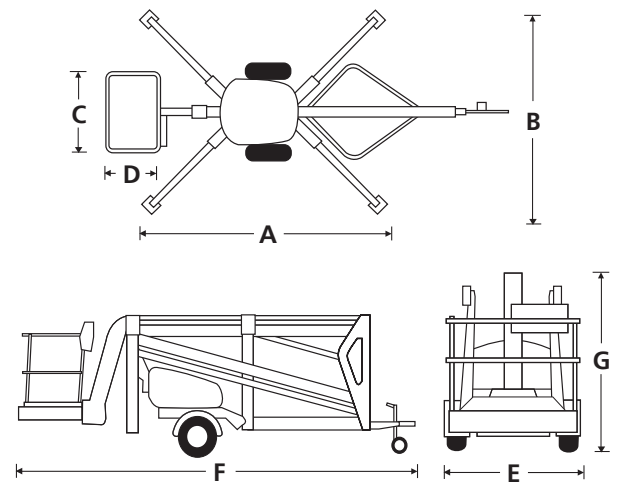
| | |
|----------------------------------|------------------------|
| Platform capacity (SWL) | 215kg |
| Max. wind speed | 12.5m/s |
| Jib length | 1.3m |
| Jib arc | 130° |
| Platform rotation | 160° |
| Turret rotation (non-continuous) | 640° |
| Tyres | 185R14C |
| Controls | hydraulic proportional |

POWER

| | |
|---------------|--|
| Power source | 24V DC battery (4 x 6V 225Ah batteries) |
| Power options | bi-energy, petrol engine, AC power |

WEIGHT

| | |
|---------------------|---------|
| Weight (DC battery) | 1,586kg |
|---------------------|---------|



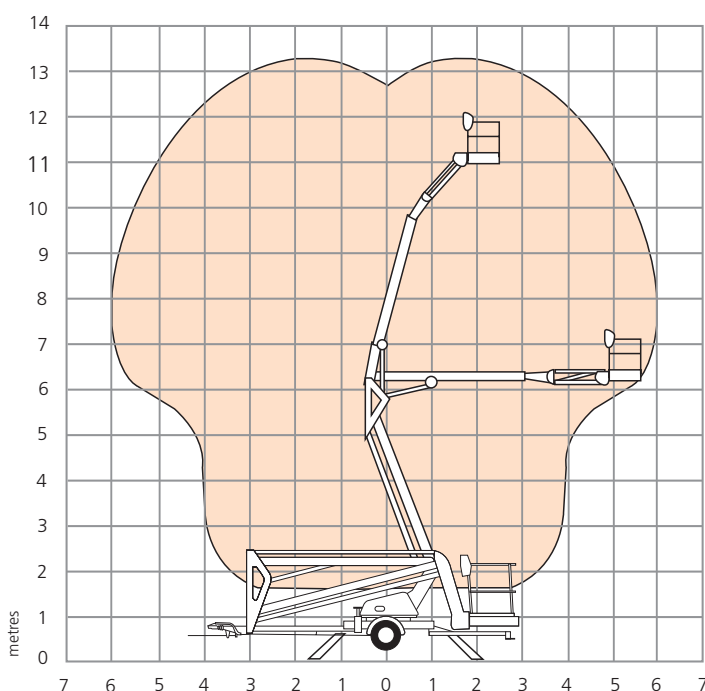
STANDARD FEATURES

- 1.3m jib with 130° working arc
- Hydraulic outriggers
- In-line boom design for maximum rigidity
- Cycle protection guards
- Hand pump emergency lowering from platform
- Power line to platform
- Proportional live hydraulic controls
- Automatic reversing and overrun braking
- Integral road lighting board
- Dual lanyard attachment points
- 2 year parts & labour, 5 year structural warranty
- CE approved

OPTIONS

- Special paint colours
- Friction drive assist package
- Flashing amber light
- Work lights in platform
- Nylon spreader pads (set of 4)
- Environmental hydraulic oil
- Spare wheel
- Snorkel OnSite™ telematics

WORKING ENVELOPE



snorkel

Vigo Centre, Birtley Road,
Washington, Tyne & Wear,
NE38 9DA, U.K.

t: +44 (0) 845 1550 057
e: sales.emea@snorkellifts.com

www.snorkellifts.com